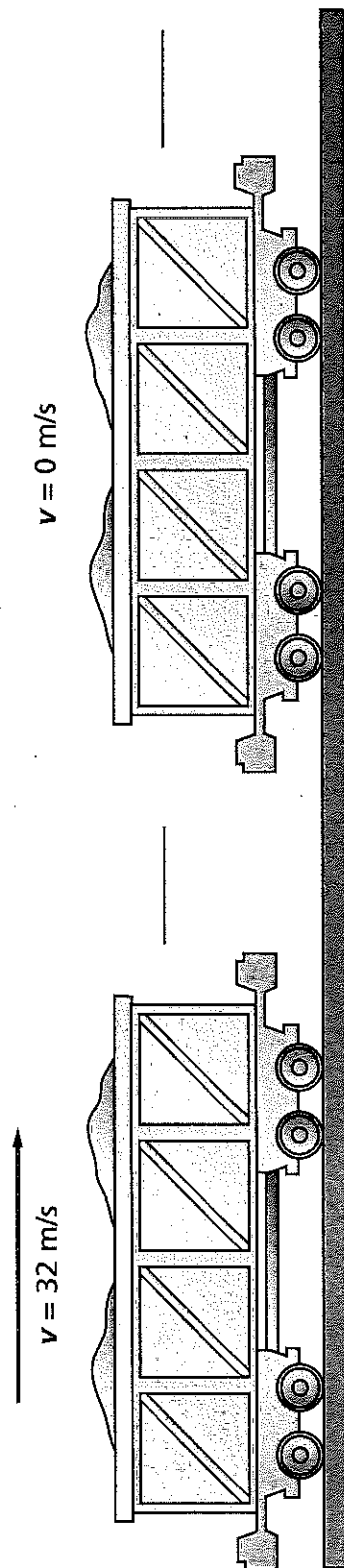
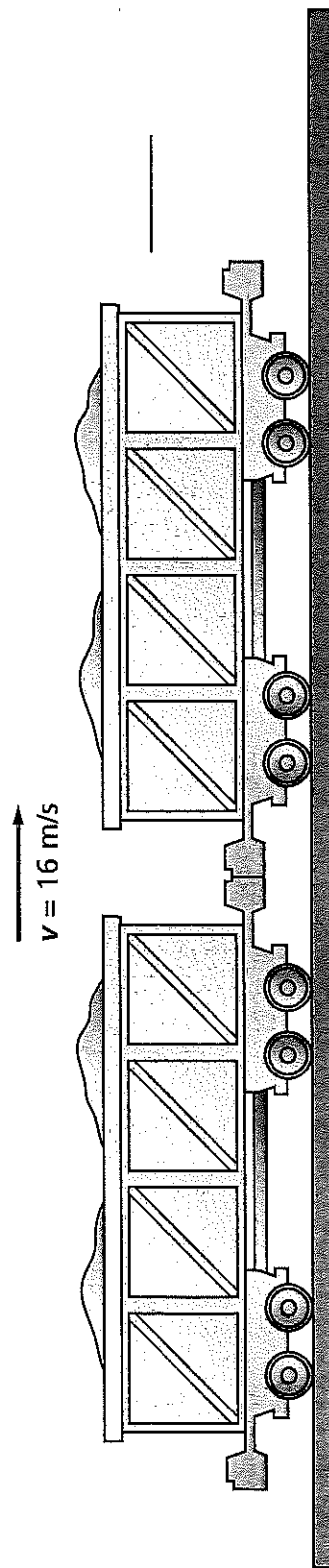


Conservation of Momentum

Copyright © Glencoe/McGraw-Hill, a division of The McGraw-Hill Companies, Inc.



(a) Before Colliding



(b) After Colliding

